

DURACLUTCH INSTALLATION

15-502 DC-RZR900-JX-02

SVI, LLC REV14 29JUL2022

KIT PART #: 15-502

MODEL: DC-RZR900-JX-02

DESCRIPTION: MY13 RZR 900 4 JAGGED X

KIT CONTENTS:

1. 10-256 ASM-DCPRIM WT10-171 SPR50-016
2. 25-146 BUSHING - CLUTCH WASHER
3. 75-047 SCREW - CLUTCH
4. 99-024 TOOL-12MM BIT SOCKET 3/8 DRIVE (SUBSTITUTE 99-007 TOOL-12MM BIT SOCKET 1/2 DRIVE)
5. 10-223 ASM-DC SECONDARY 9.5 PREM ROLL (supersedes 10-094, 10-169, 10-191)
6. 99-023 LOCTITE 243 0.5ML CAPSULE
7. 35-024 BELT (SUBSTITUTE 3211148)
8. 30-091 TOOL-BELT INSTALL
9. 97-017 DECAL-DC CLUTCH HOUSING DASH 35-024
10. OWNERS MANUAL SUPPLEMENT
11. WEIGHT CHART
12. DURACLUTCH WARRANTY
13. 98-008 INSTALL INSTRUCTIONS 15-502 (THESE INSTRUCTIONS)

DURACLUTCH INSTALLATION

1. Remove clutch housing cover and secondary clutch.
2. Install DURACLUTCH Secondary. Place a drop of BLUE Loctite provided with kit on the secondary bolt. Tighten bolt to 45 ft-lbs.
3. Remove Primary clutch bolt. Remove the Primary clutch with a puller (SVI 25-127/PII 2872085). Greasing the end of the puller slightly will aid in removal. Do not get grease on any clutch components.
4. Clean the engine tapered shaft and Primary clutch bore with alcohol or degreaser. Do not lubricate.
5. Slip the belt into the Secondary so you can read the part number on the belt and using Belt Install Tool open secondary so belt will seat down into clutch. Sometimes a screwdriver is needed to assist lowering into clutch.

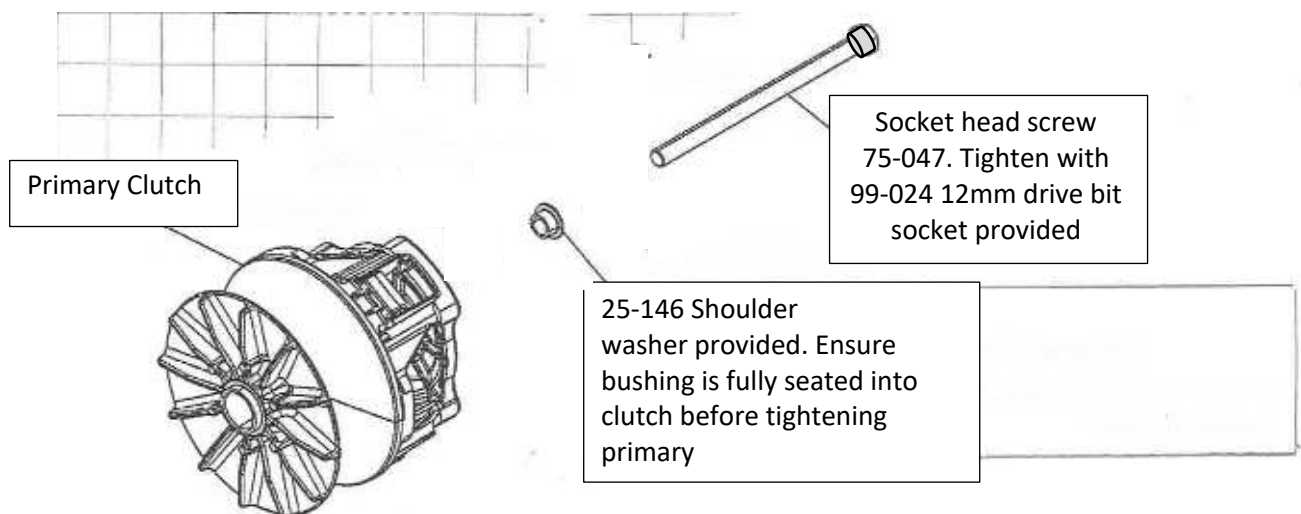


98-008 Instructions

6. Slide belt into primary clutch, then install on post.



7. Install DURACLUTCH Primary with hardware provided as shown. Tighten bolt to **60 ft-lbs. VERY IMPORTANT- Over tightening will not allow clutch to operate properly and cause damage and failure of the clutch.**



Do not use original equipment screw or hardware.

8. How to install the Belt as follows if the Primary and Secondary are already installed. Place Belt in the Primary and open the Secondary sheaves with the Belt Installation Tool provided (see photo). Roll belt into the Secondary sheaves. Sometimes a screwdriver is needed to seat lower into clutch.



9. Once primary is torqued, with transmission in PARK, spin secondary clutch back & forth a few times to allow belt back to top of secondary.

10. Install outer clutch housing.

Note: The clutch cover screws are easy to strip back cover. They screw into a plastic back cover.



Torque spec: 100 in-lbs (8 ft-lbs). This is like a screwdriver torque. Use a hand wrench or a clutch screw gun at a low setting.

Ensure seal is good or replace with 35-061. The DURACLUTCH primary is slightly larger than the original equipment primary. To ensure the primary does not rub against the cover push up and back on the housing while lightly snugging the bottom screws. Then tighten the top rear screw followed by the other top screws. Then tighten all remaining screws including the bottom screws evenly. After starting the engine if you hear the primary rubbing, push on the cover while the engine is running in different directions to see which way will eliminate the rubbing. Stop the engine and loosen the housing screws and retighten using the above sequence while pushing on the cover in the direction that eliminated the rubbing. If this does not eliminate the rubbing, try installing a new 35-061 gasket and go through the bolt tightening sequence again. If you cannot eliminate the rubbing the cover is heat warped and you may have to install a new cover and perhaps a new back plate. You may also try using a heat gun to remove heat sag in the cover.

11. Drive vehicle for 5 miles to break-in DURACLUTCH kit components. During 5-mile drive, stop approximately 10 times and pause for 30 seconds, leave in High gear, and have foot on brake. This allows clutch packs to properly wear-in.

NOTE: If the transmission still shifts hard after break-in there are likely issues other than drag in the clutches. See your dealer or call DURACLUTCH service (218-967-8205).

DECALS

12. Apply two decals as shown – one on the clutch housing and one on the dash. Clean surface with alcohol or similar solvent. Decal application is important to alert service technicians that the standard Polaris clutches have been replaced.

